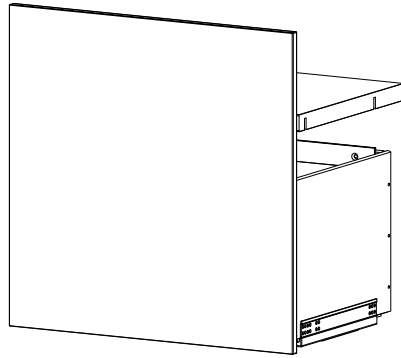



# Lecco

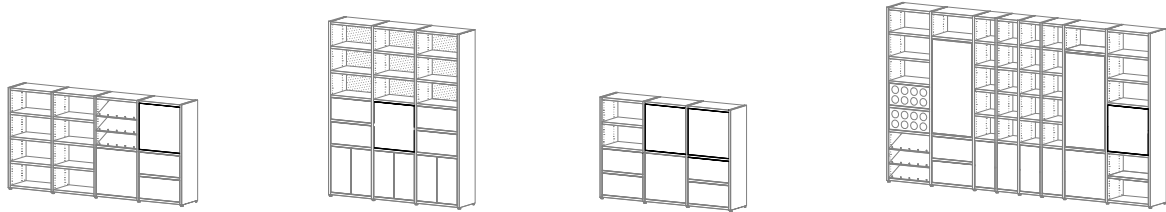
Design by BoConcept

Samvejledning - Assembly Instructions - Montageanleitung - Instructions d'assemblage - Instrucciones de montaje



## 5400

60,3x60,5x38,3 cm /  max. 20 kg



Korpus - Korpus - Carcase - Carcasse

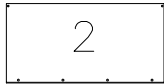
Col. 1

001834



1

001833



2

001832



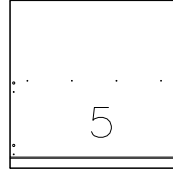
3

001911



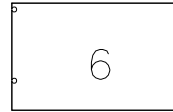
4

001004



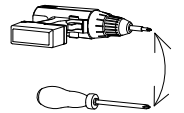
5

001053



6

Værktøj - Werkzeuge -  
Tools - Outils



Beslag - Beschläge - Fittings - Set de montage - Acessórios

Col. 1



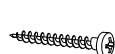
**A X 6**  
1978054240  
4,2x45mm



**B X 4**  
970001056



**C X 4**  
1972000009  
ø3x11mm



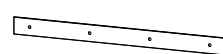
**D X 4**  
1978103530  
3,5x30mm



**E X 2**  
1972020105



**F X 4**  
970000731  
12mm



**G X 2**  
970000733  
565x44x4mm



**H X 4**  
970000749  
5x25mm



**J X 4**  
970000747  
M6x45mm



**K X 4**  
970000732  
21mm



**L X 4**  
1978806002  
M6



**M X 4**  
970000748  
M6x25mm



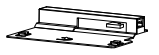
**N X 1**  
1979300004  
4mm



**P X 1**  
970000780  
LEFT



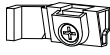
**Q X 1**  
970000785  
LEFT



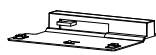
**R X 1**  
970000784  
LEFT



**S X 1**  
970000779  
RIGHT



**T X 1**  
970000783  
RIGHT



**U X 1**  
970000782  
RIGHT



**V X 4**  
970000764  
4,2x16mm



**W X 4**  
970000787 white  
970000740 black





**Z X 4**  
970000739 white  
970000763 black



**Y X 4**  
1972290002  
4,2x13,5mm

FIG. 1

-  A X 6  
4,2x45mm
-  B X 4

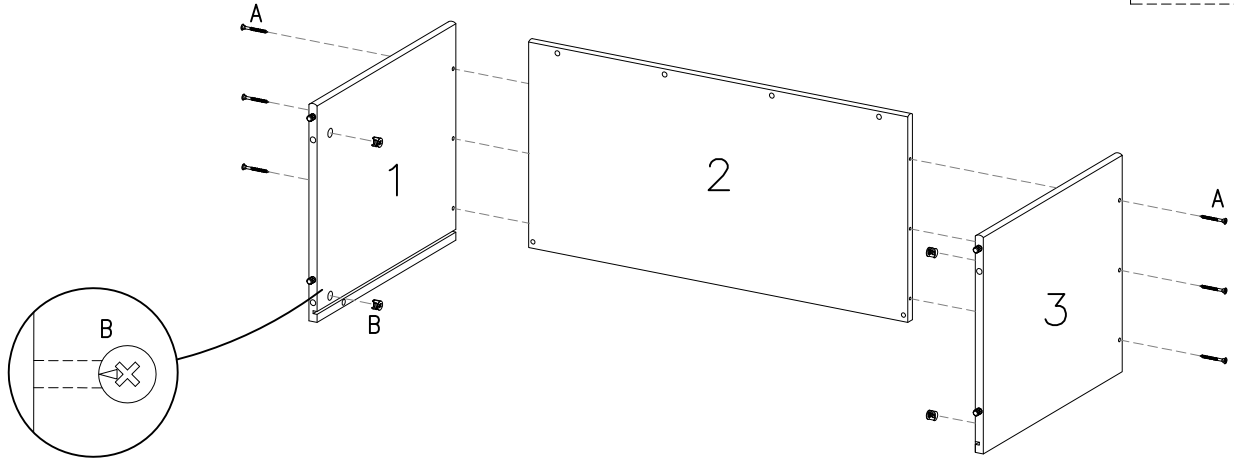
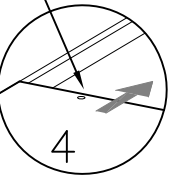
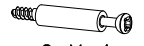


FIG. 2

Attention!



-  C X 4  
ø3x11mm

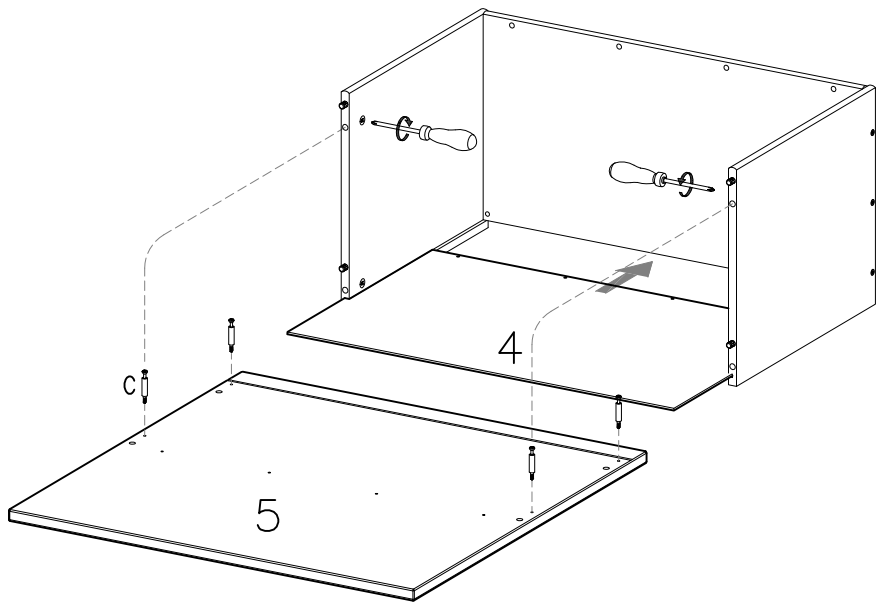
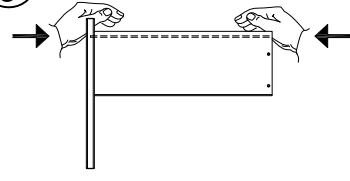
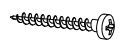



FIG. 3

Attention!



-  D X 4
-  E X 2

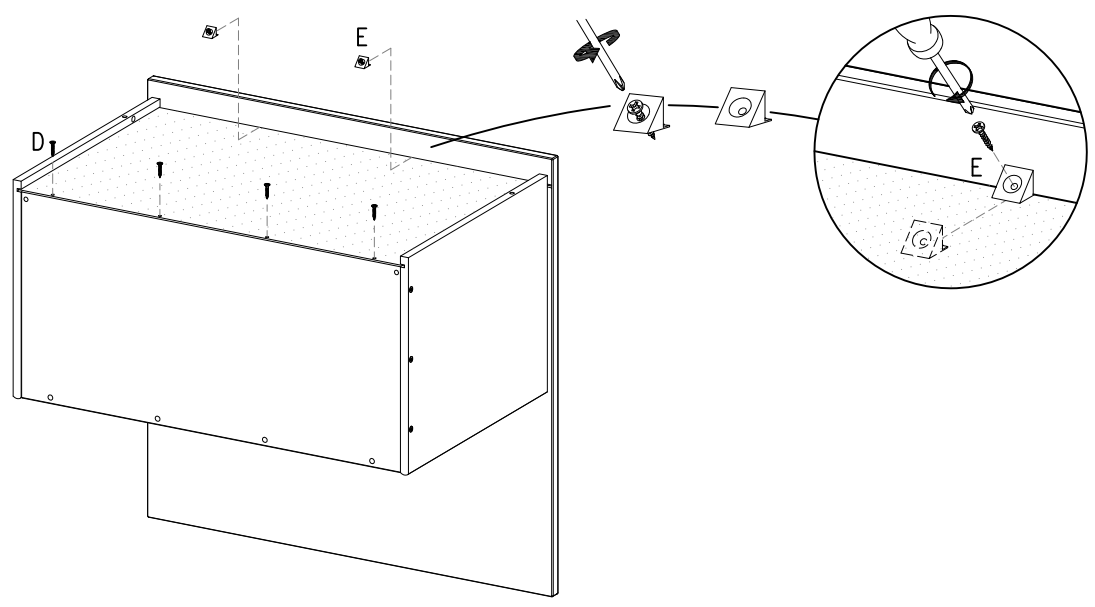


FIG. 4

- F X 4**  
12mm
- G X 1**  
565x44x4mm
- H X 4**  
5x25mm

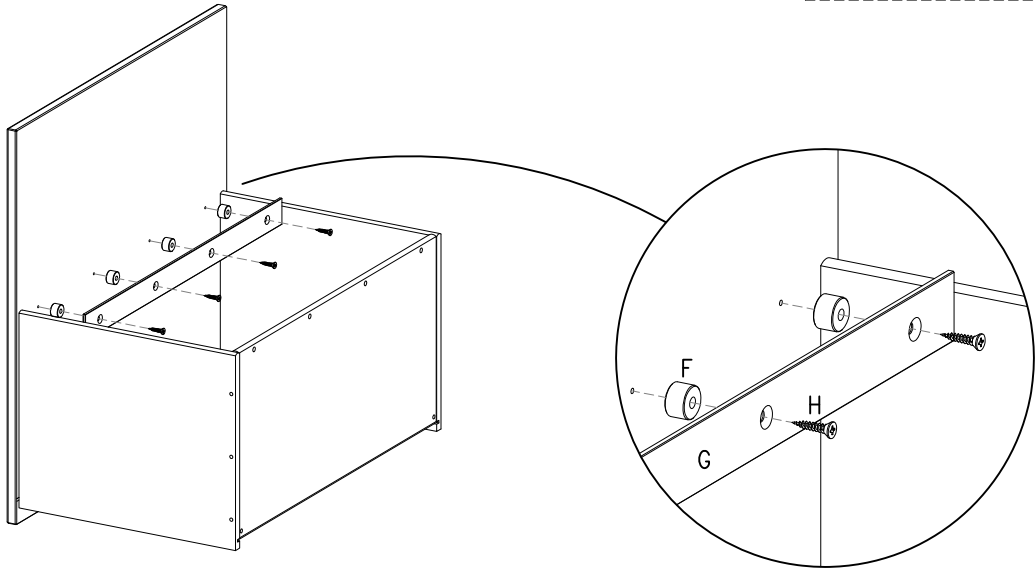
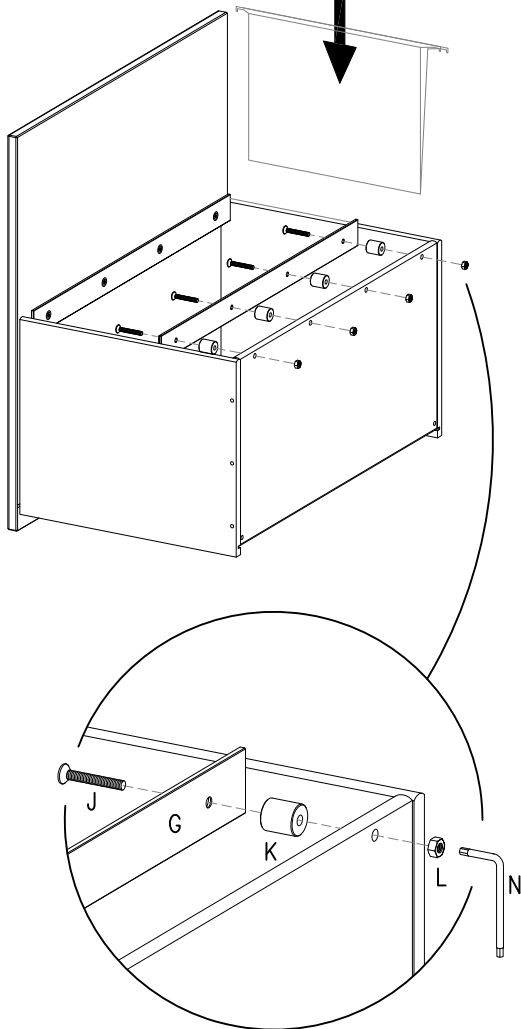


FIG. 5

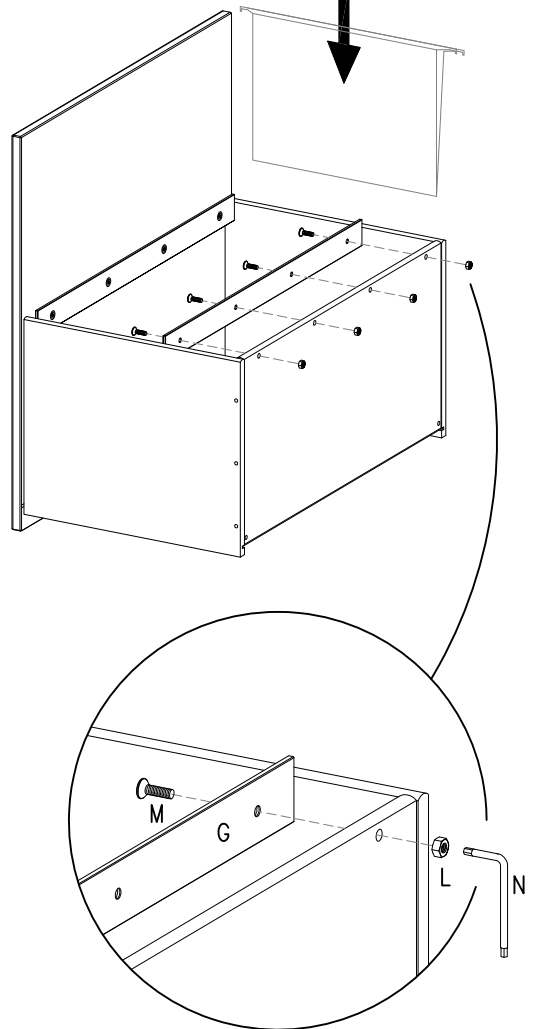
- J X 4**  
M6x45mm
- G X 1**  
565x44x4mm
- K X 4**  
21mm
- L X 4**  
M6
- N X 1**

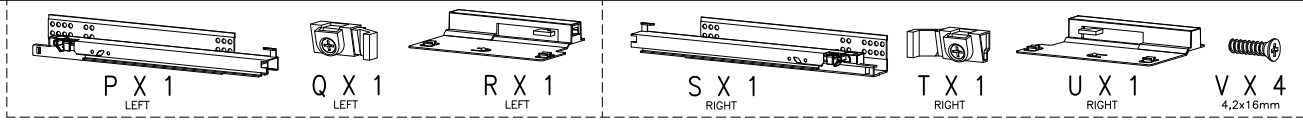
**US**



- M X 4**  
M6x25mm
- G X 1**  
565x44x4mm
- L X 4**  
M6
- N X 1**

**EU**





### Example - LEFT

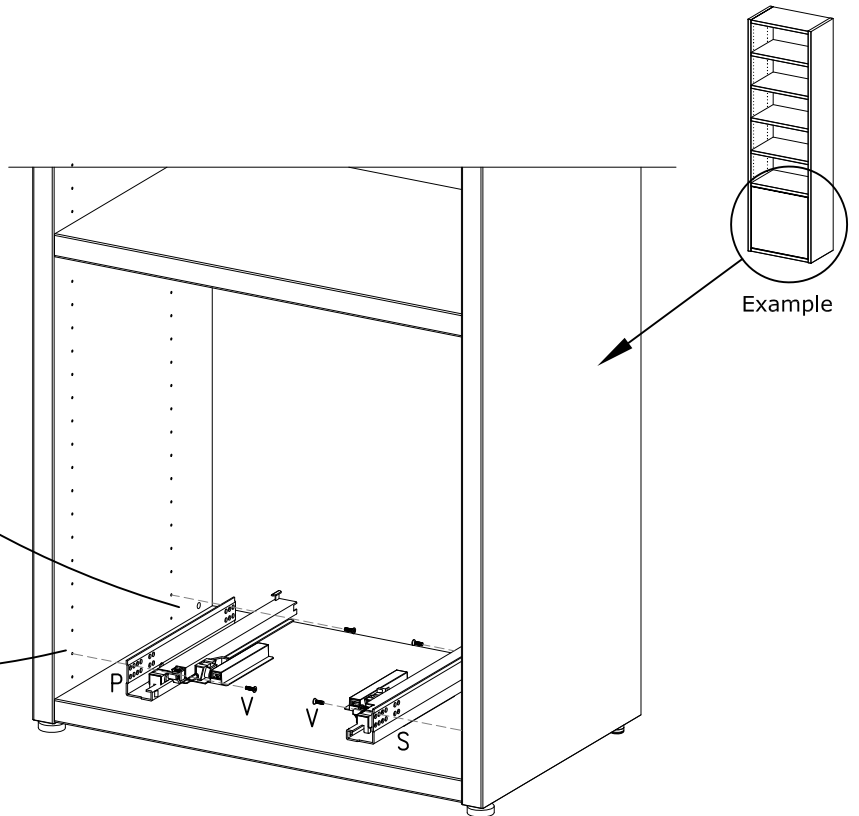
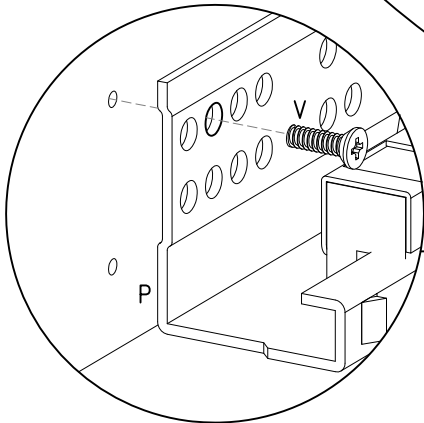
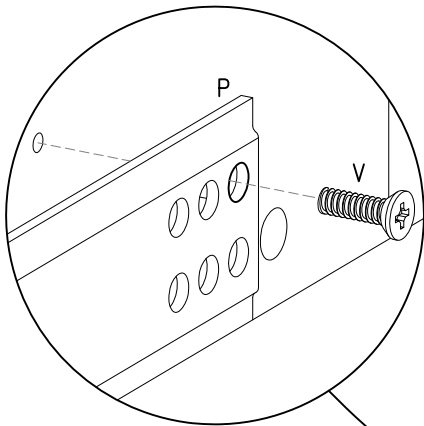
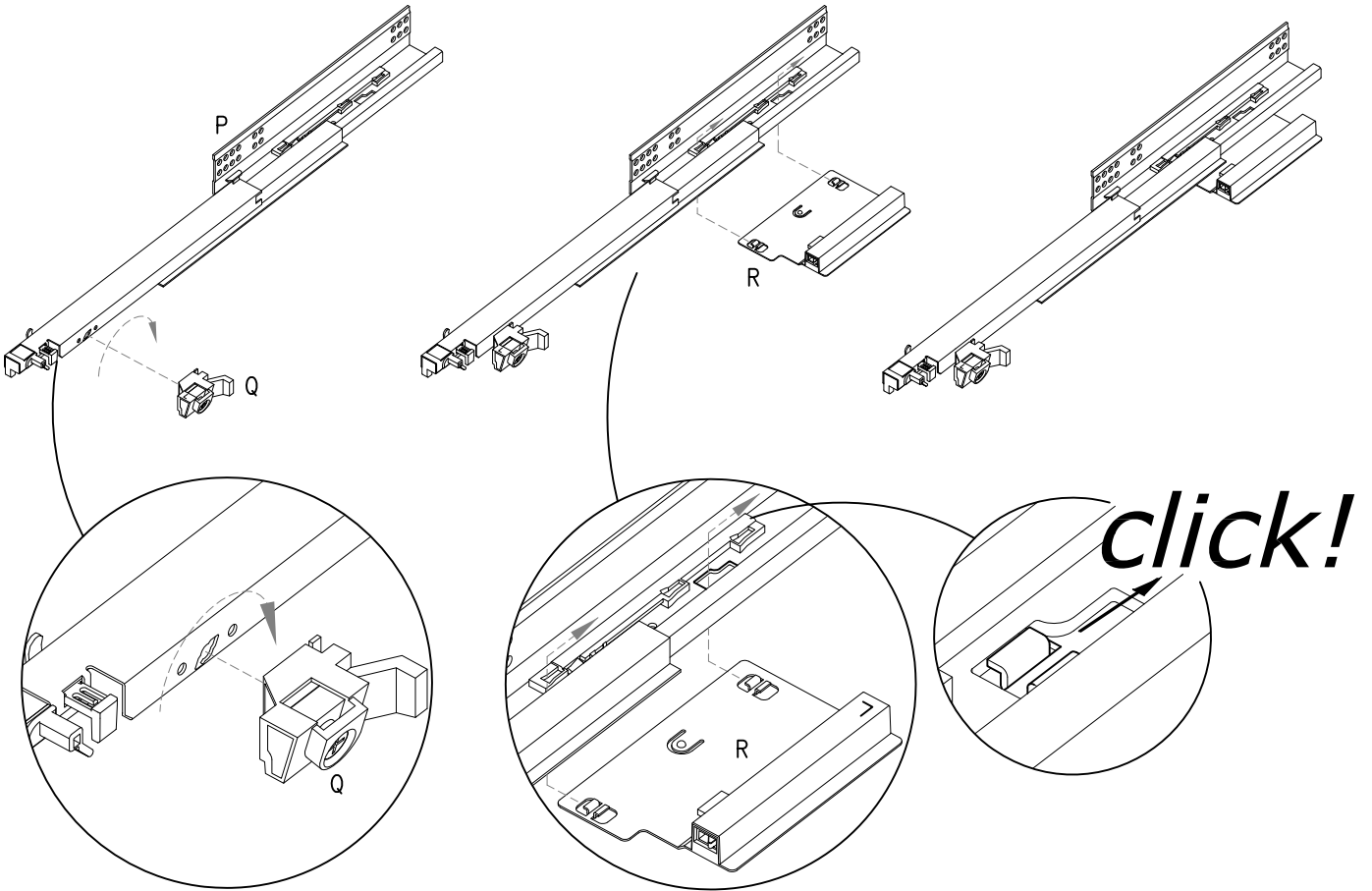


FIG. 7

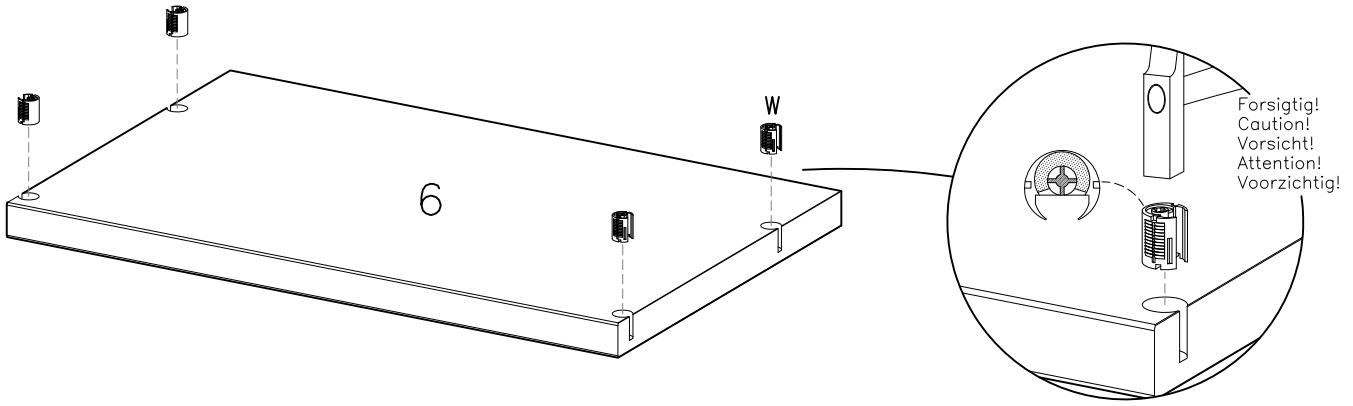
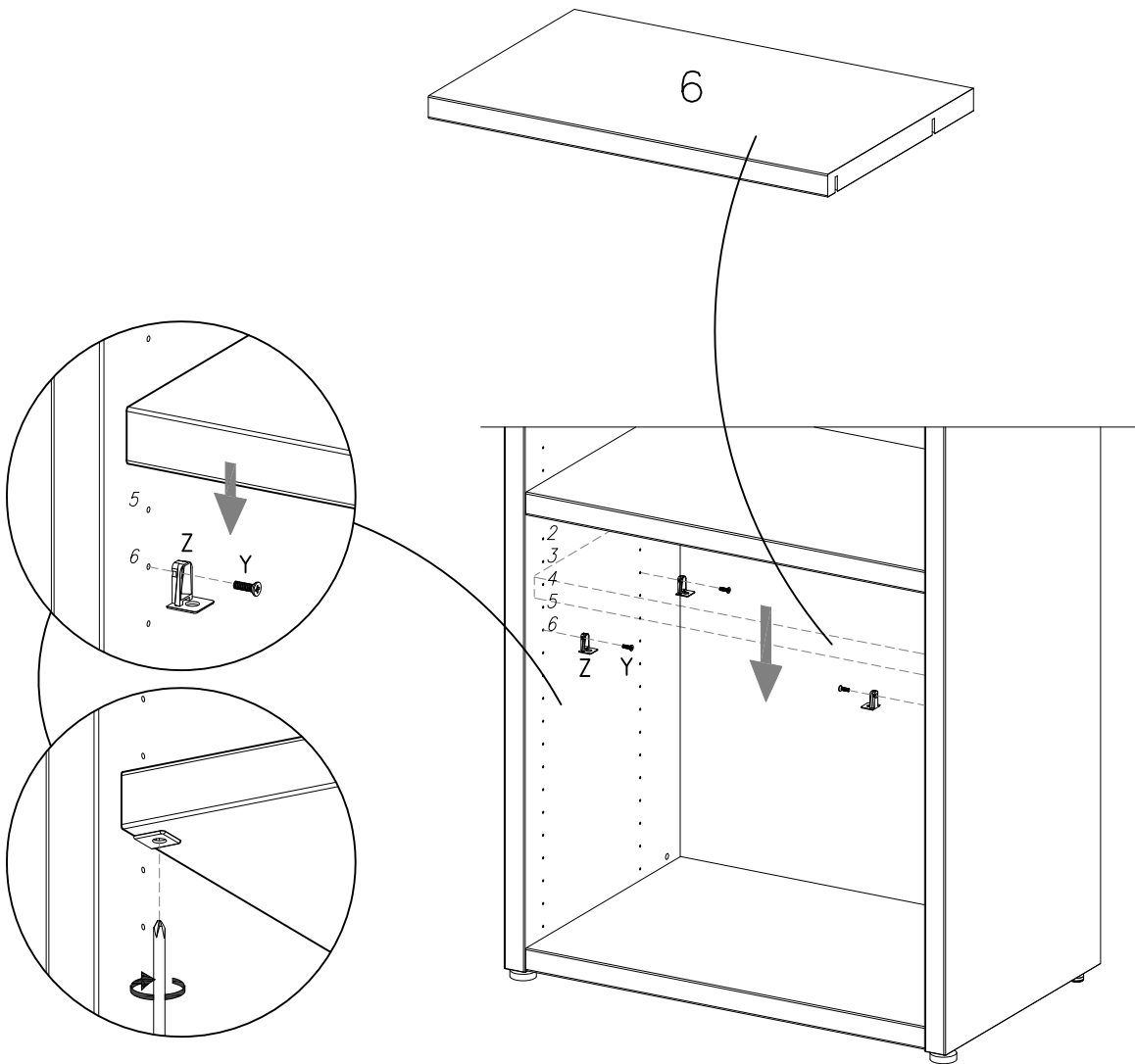
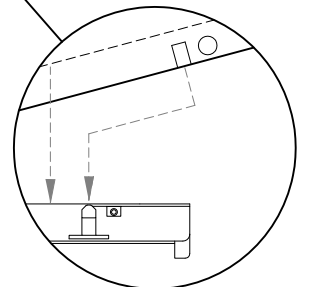
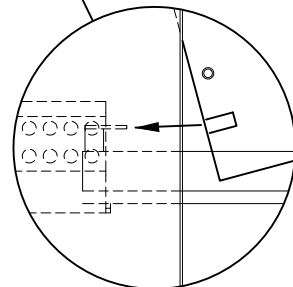
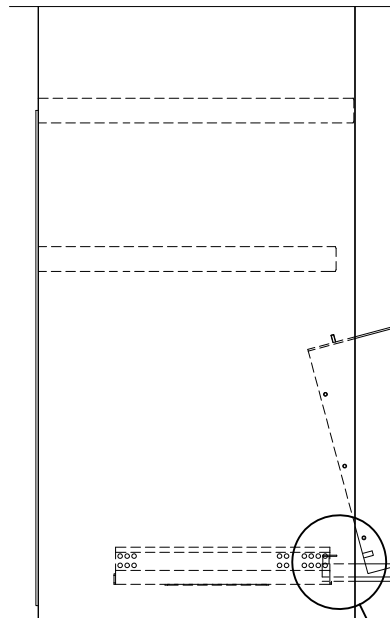
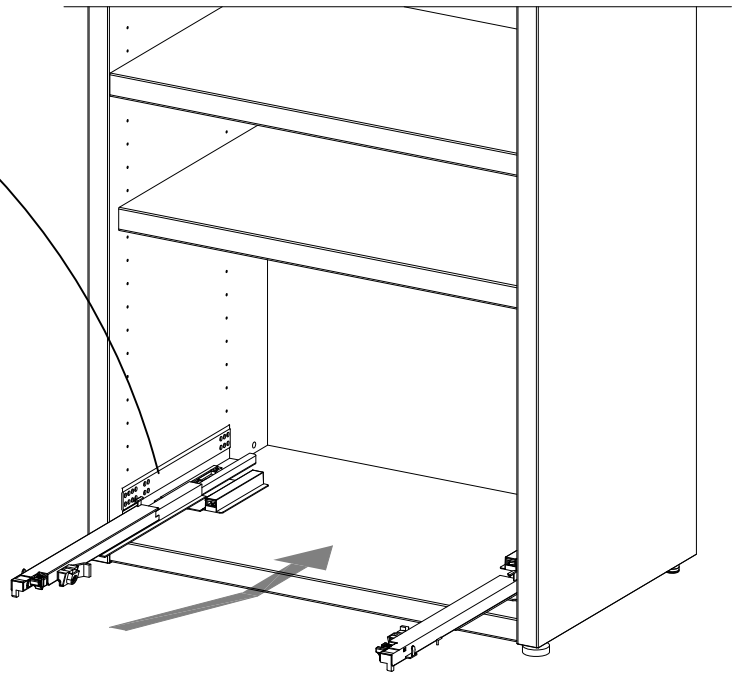
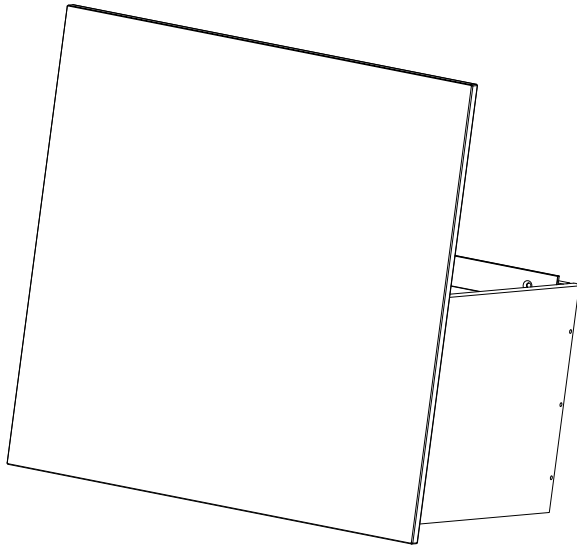
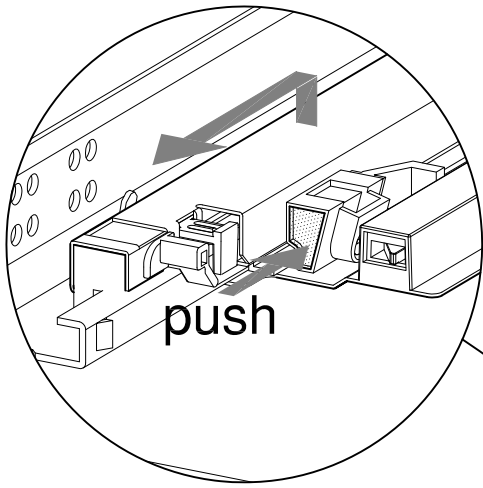
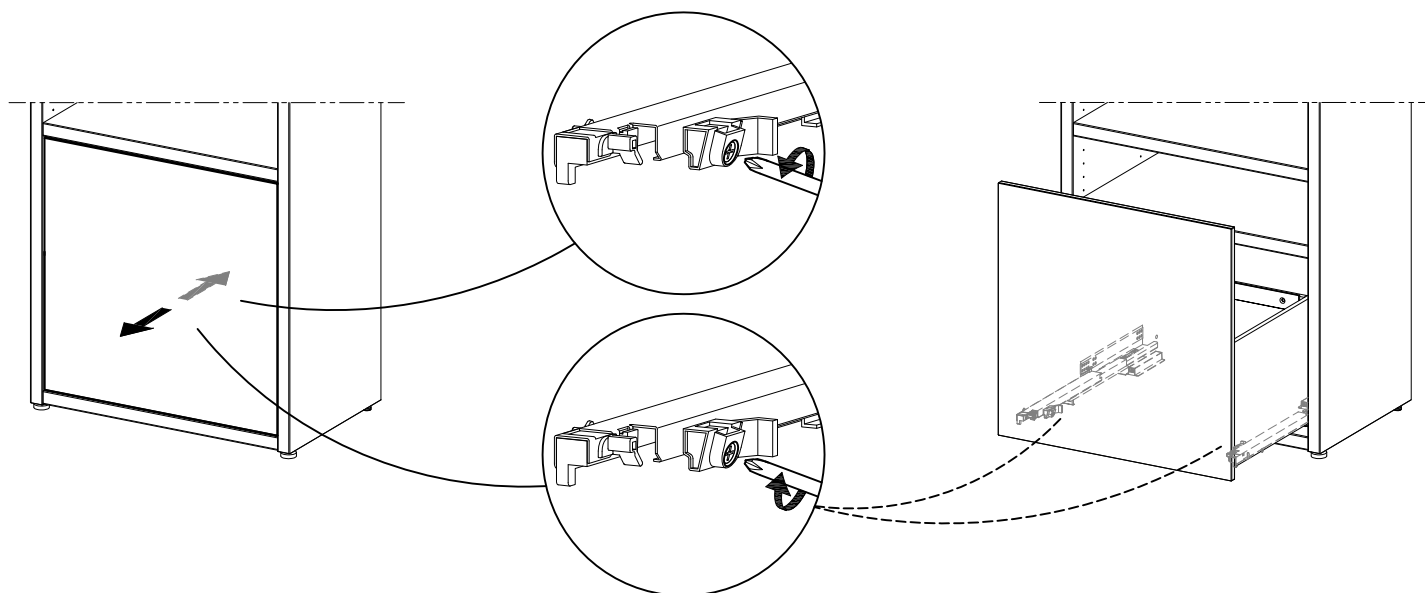
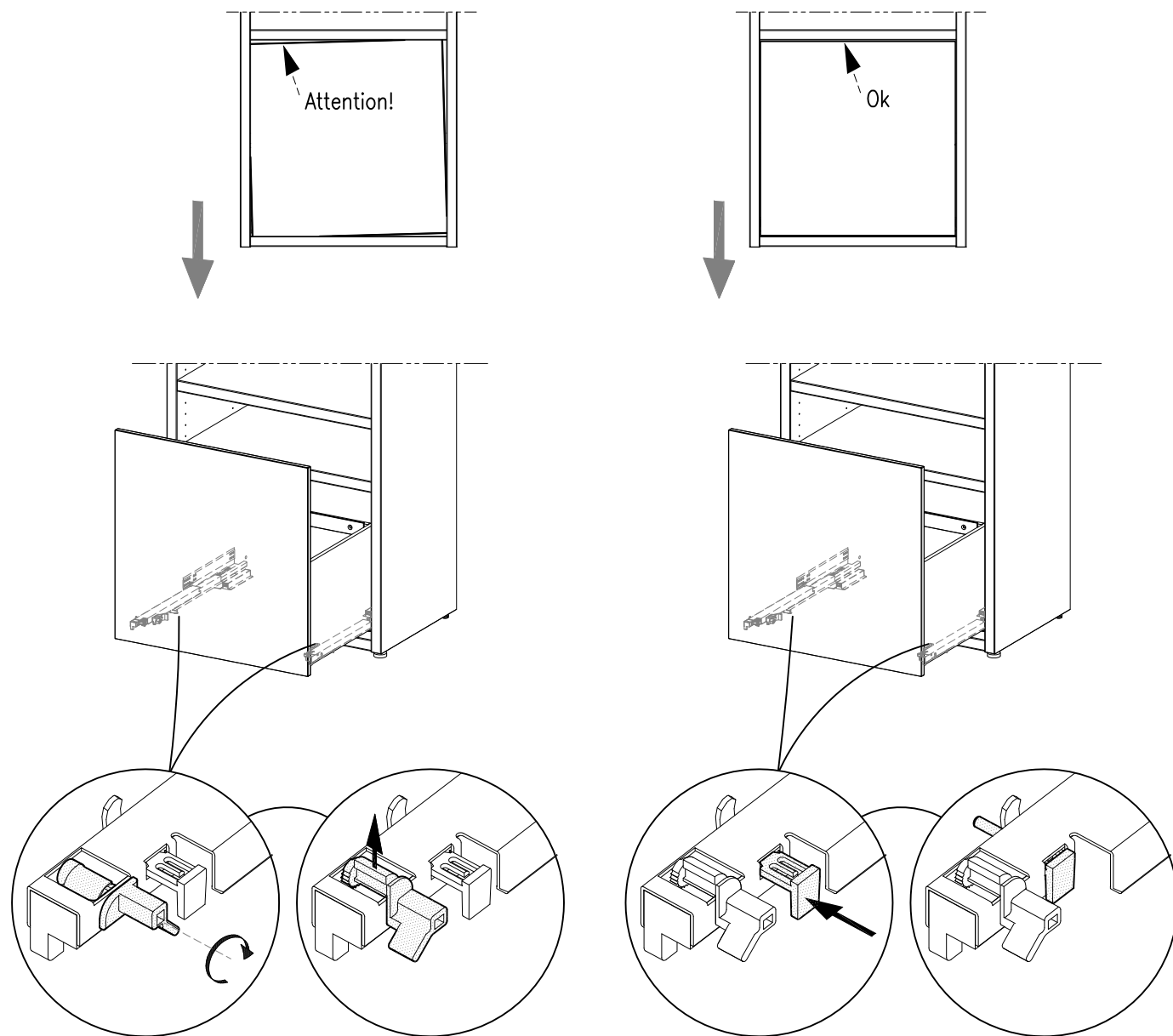
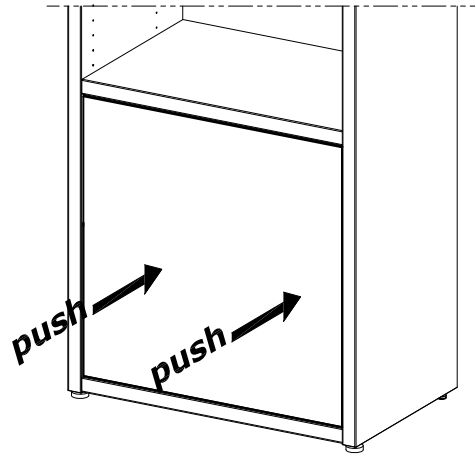


FIG. 8

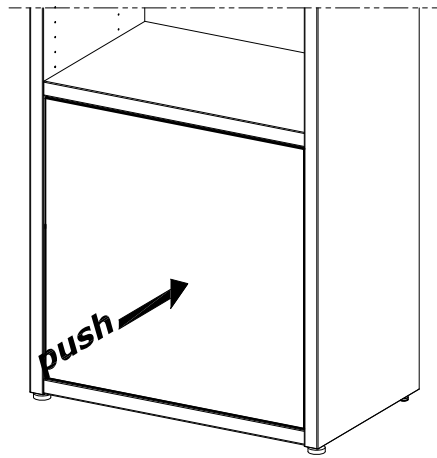








or



! DK Ved reklamation oplyses følgende:  
 D Im Reklamationsfall, bitte folgendes erläutern:  
 US In case of claims, please state the following:  
 F En cas de réclamation, veuillez indiquer:  
 NL Bij service volgene mededelen  
 E En caso de reclamacion, indicar lo siguiente:  
 P No caso de reclamação, por favor indique o seguinte:  
 JP お気づきの点等ございましたら、以下の点をお知らせください。

Example!

