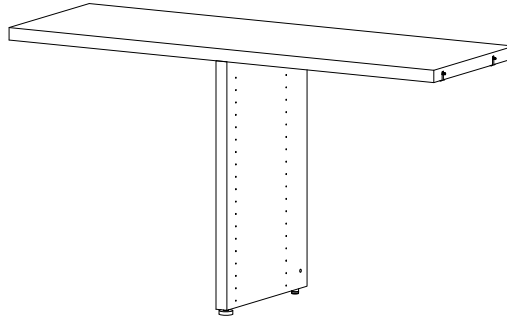


Lecco

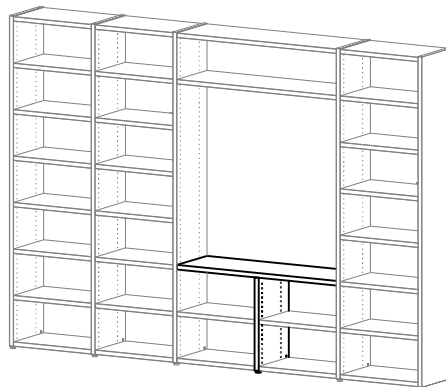
Design by BoConcept

Samvejledning - Assembly Instructions - Montageanleitung - Instructions d'assemblage - Instrucciones de montaje



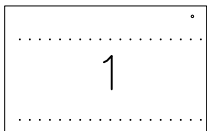
2300

69,1x124,8x40,8 cm

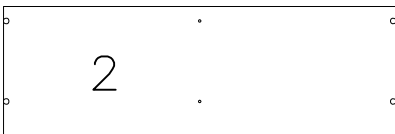


Example

002386



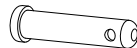
002385



Beslag - Beschläge - Fittings - Set de montage



A X 1
1976001942



B X 1
1976001940



C X 1
1976001941



D X 1
1976001933



E X 1
1976003614



F X 1
1976001944



G X 4
970000740 black
970000787 nikkel



H X 4
970000763 black
970000739 nikkel



J X 4
1972290002
4,2x13,5 mm



L X 1
1979300004
4mm

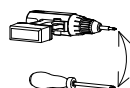
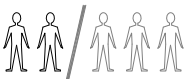


M X 1
970000094 white
970000621 walnut
970001090 black



T X 2
1979110830
8x30mm

Værktøj - Werkzeuge - Tools - Outils



WARNING

DO NOT allow children to climb on unit. Open one drawer at a time.

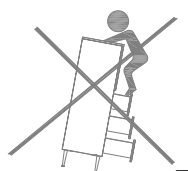

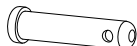






FIG. 1

- 
A X 1
- 
B X 1
- 
C X 1
- 
D X 1
- 
E X 1
- 
F X 1

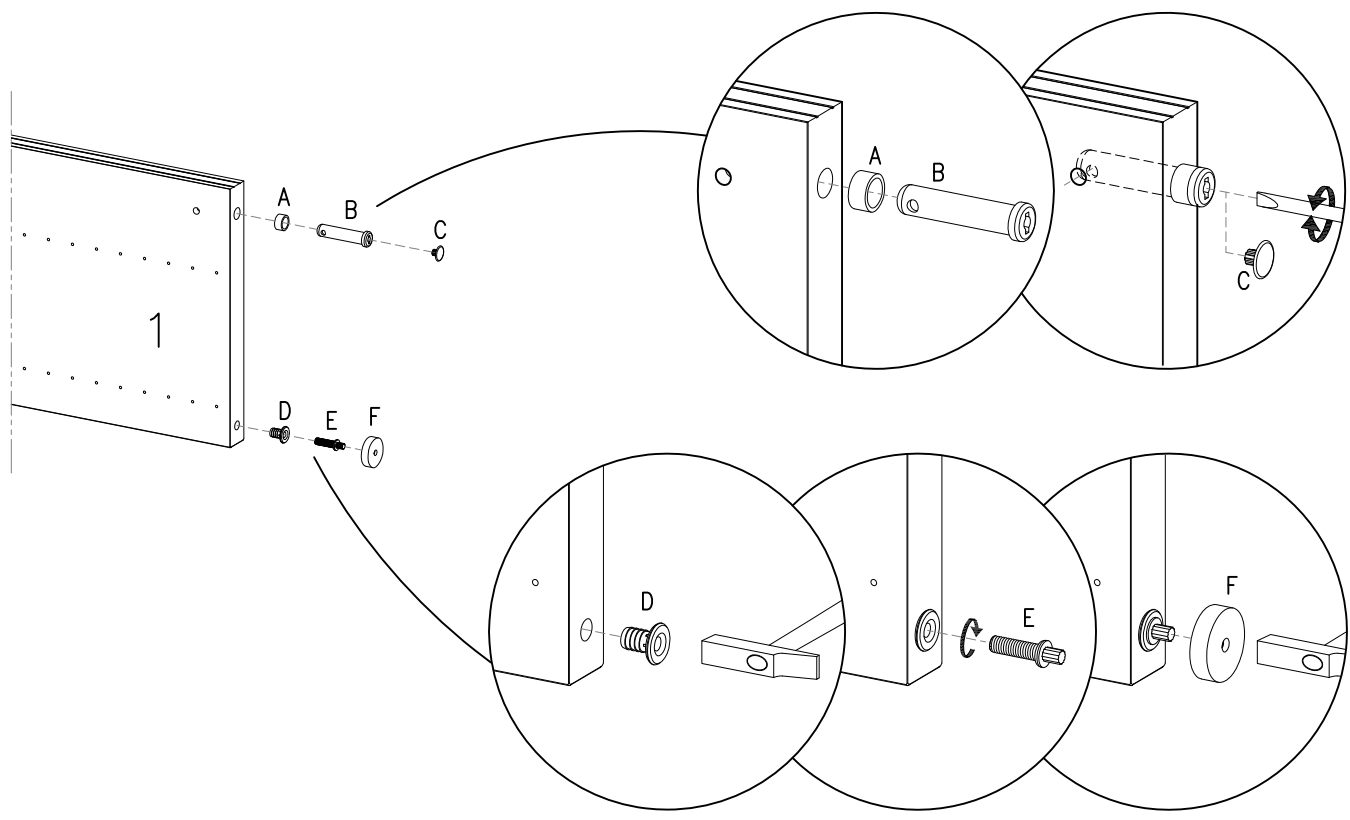


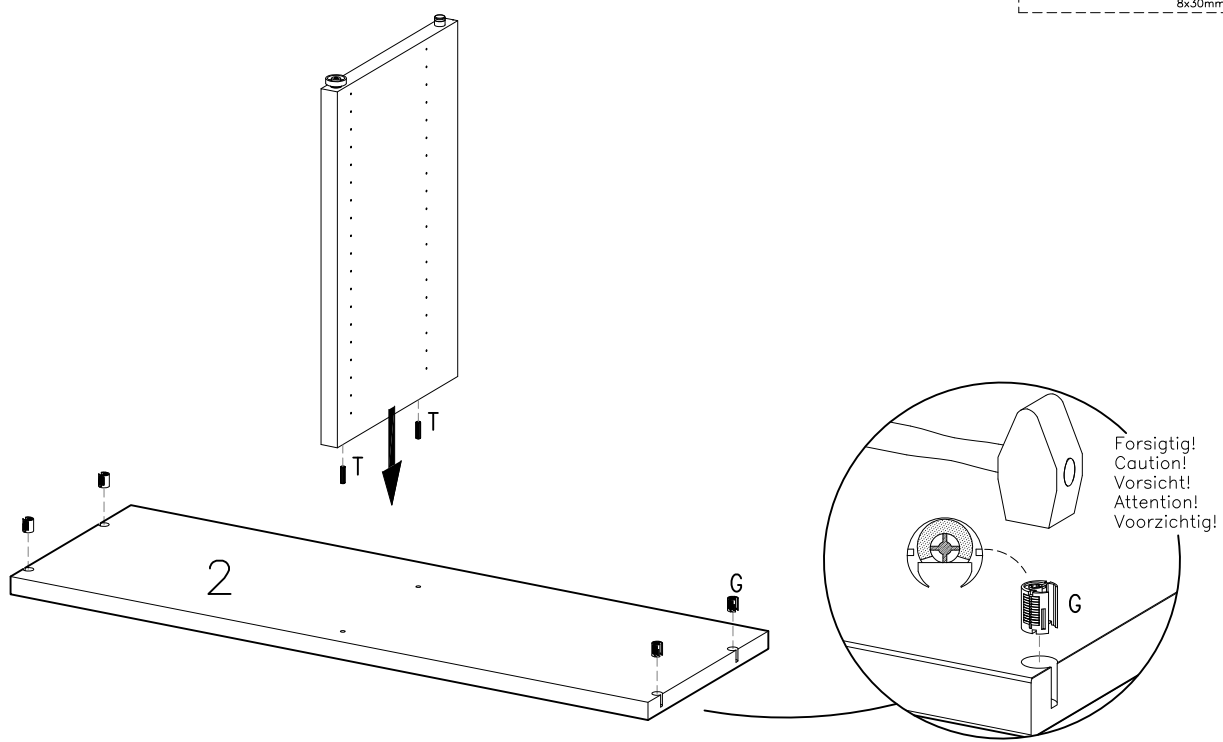
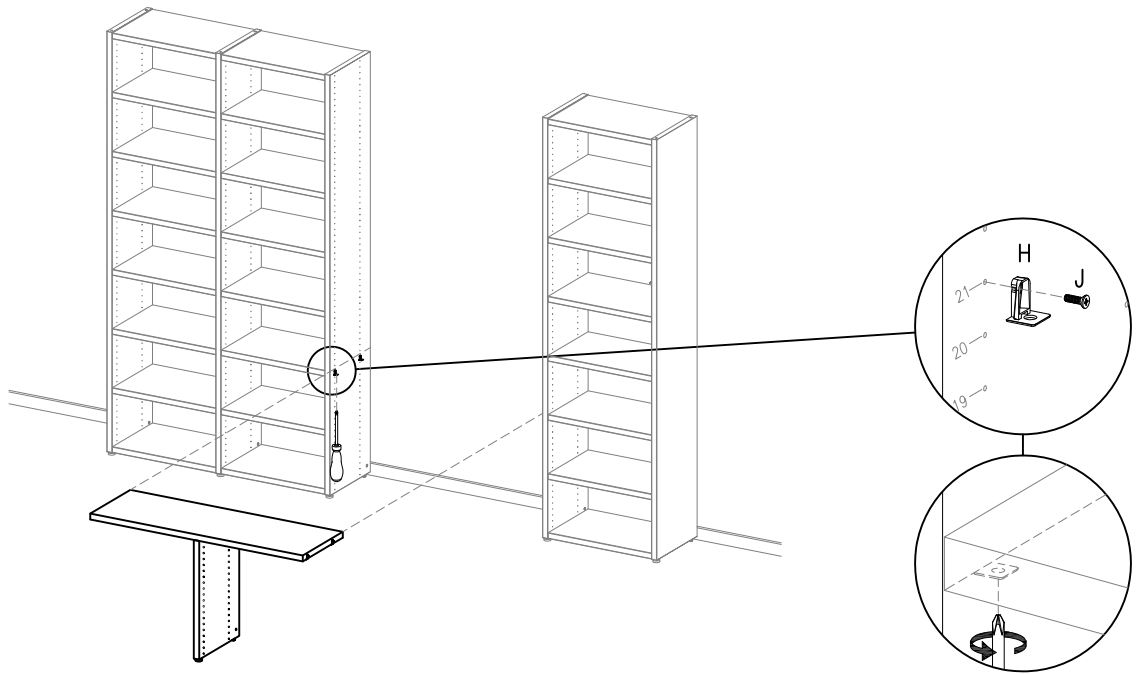
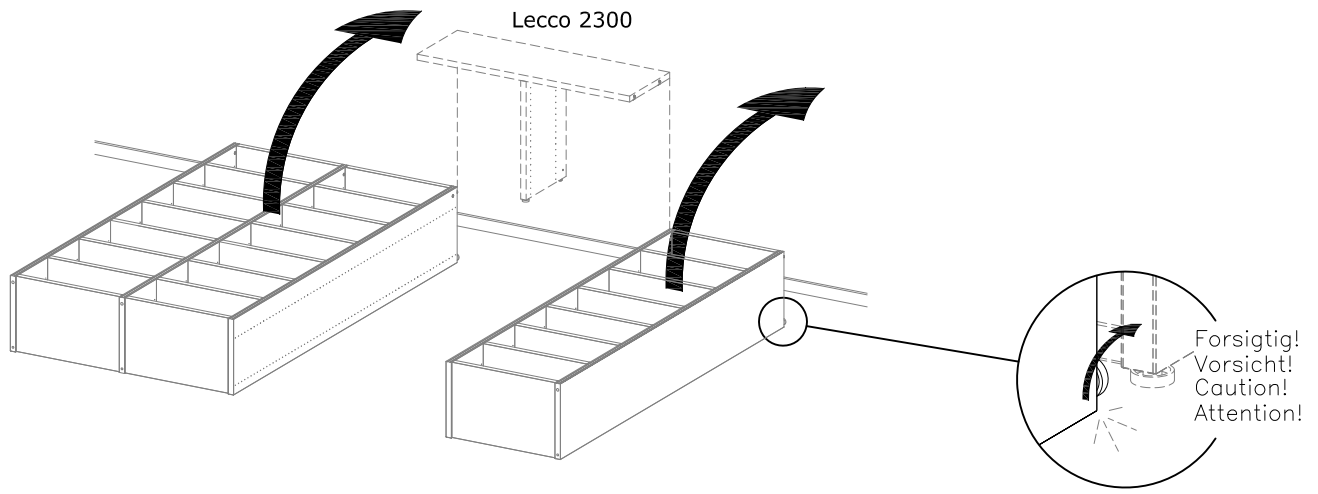
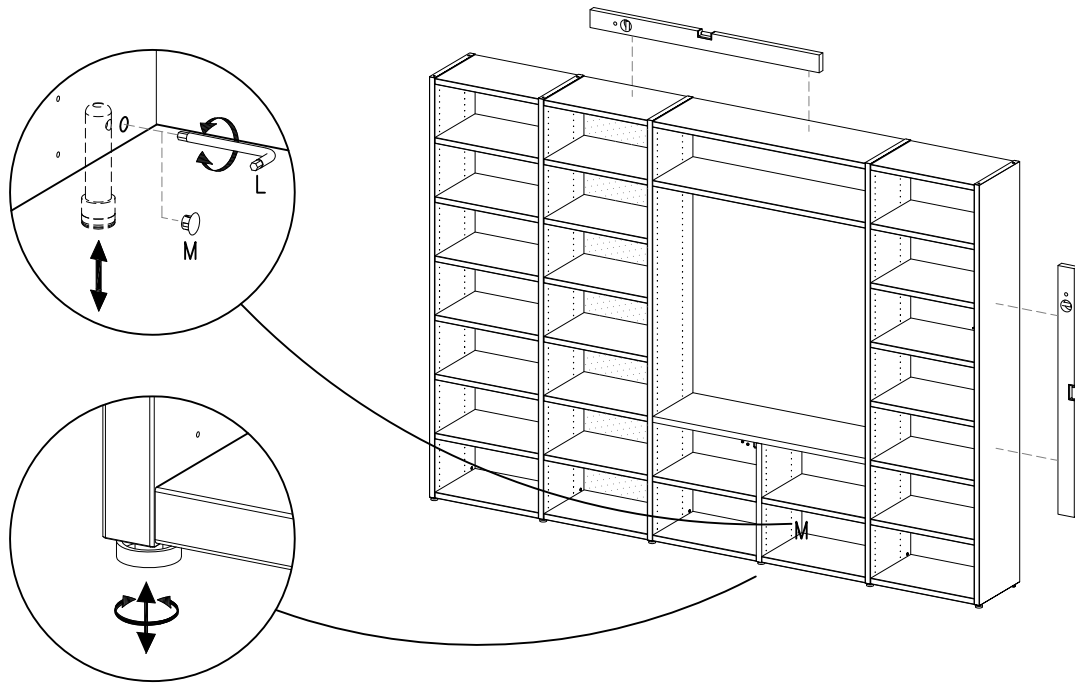
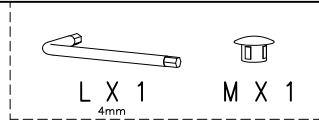


FIG. 2

- 
G X 4
- 
T X 2
8x30mm







DK Ved reklamation oplyses følgende:
 D Im Reklamationsfall, bitte folgendes erläutern:
 US In case of claims, please state the following:
 F En cas de réclamation, veuillez indiquer:
 NL Bij service volgene mededelen
 E En caso de reclamación, indicar lo siguiente:
 P No caso de reclamação, por favor indique o seguinte:
 JP お気づきの点等ございましたら、以下の点をお知らせください。

Example!

Korpus	Korpus	Carcase	Carcasse
No. 1530	No. 2250 x2	No. 8600	
002118	002119	001015	

Beslag	Fittings	Beschläge	Set de Montage
A X 8	B X 12	C X 4	
1972000014	1972000004	1979110830	
C X 2	H X 2	J X 8	
1970120000	1978504022	1978204210	